

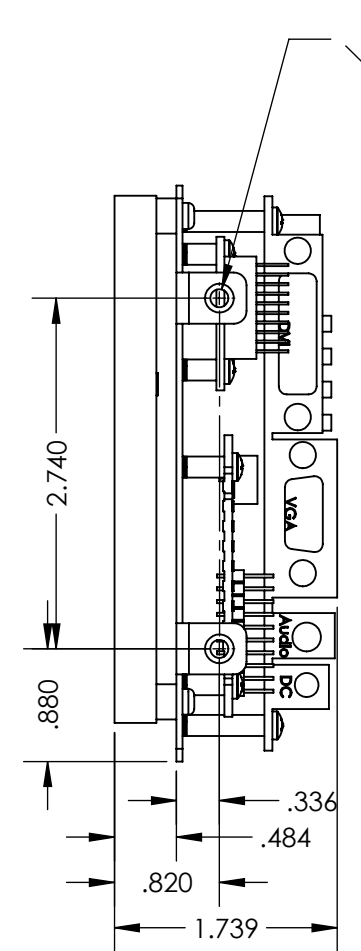
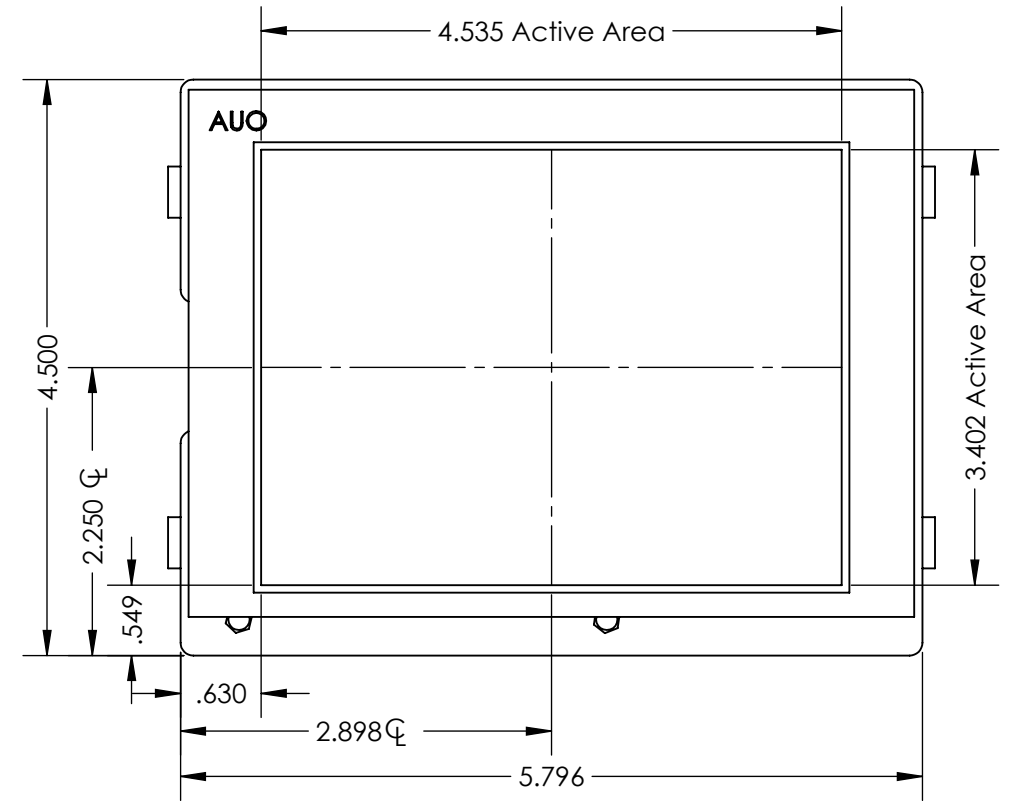
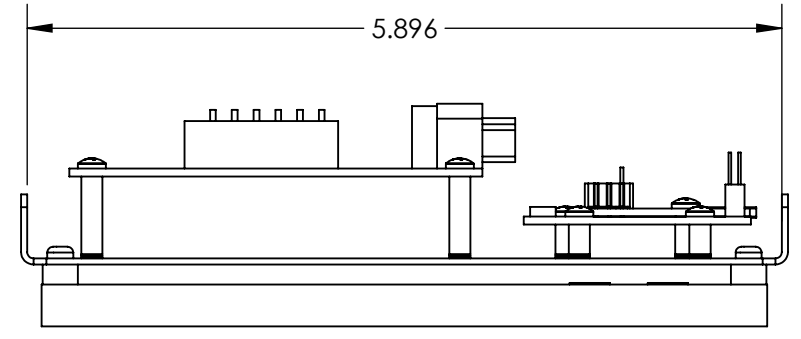
4

3

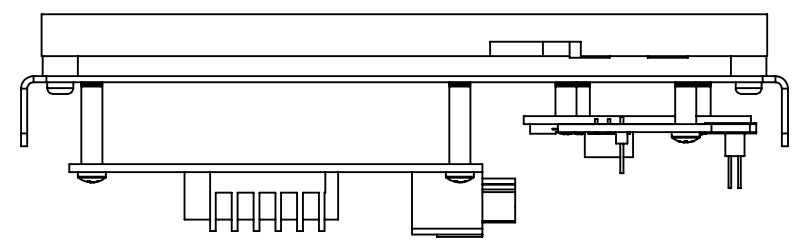
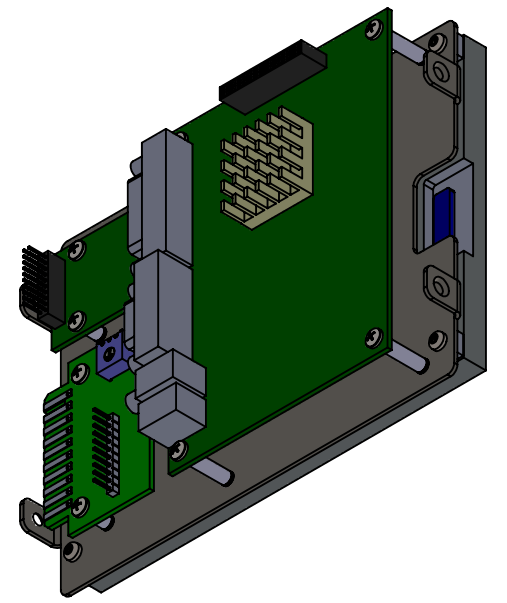
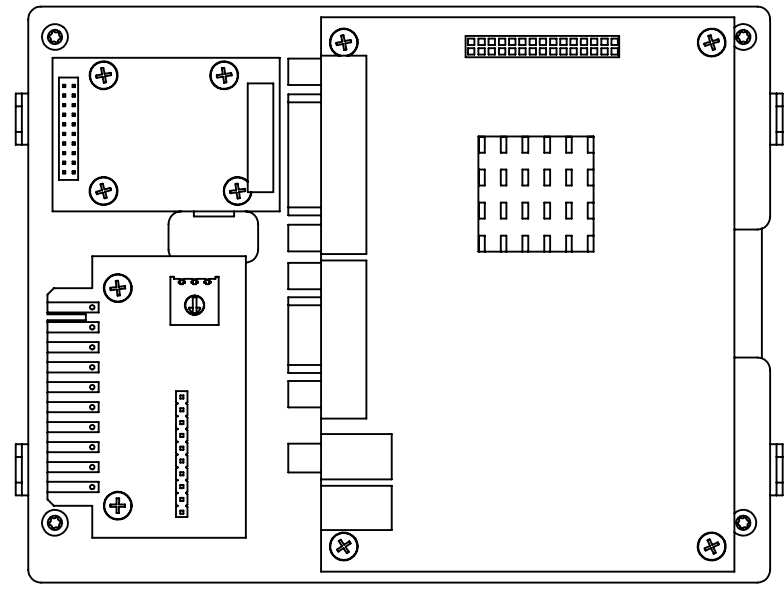
2

1

REV.	DESCRIPTION	DATE	APPROVED
01	PROTOTYPE RELEASE	5/12/2016	OBM
2	CORRECT LCD SIZE, FROM 5.6" TO 5.7".	4/13/2021	OBM



$\phi .129 \nabla .048$
 $\surd \phi .225 \times 82^\circ$



UNLESS OTHERWISE SPECIFIED:		NAME	DATE
DIMENSIONS ARE IN INCHES		DRAWN	OBM 3/16/2015
TOLERANCES:		CHECKED	DR 3/16/2015
FRACTIONAL \pm		ENG APPR.	OBM 3/16/2015
ANGULAR: MACH \pm BEND \pm		MFG APPR.	TJP 3/16/2015
TWO PLACE DECIMAL \pm		Q.A.	MRC 3/16/2015
THREE PLACE DECIMAL \pm		COMMENTS:	
INTERPRET GEOMETRIC TOLERANCING PER:			
MATERIAL			
FINISH			
FINISH			
DO NOT SCALE DRAWING			

PROPRIETARY AND CONFIDENTIAL
 THE INFORMATION CONTAINED IN THIS DRAWING IS THE SOLE PROPERTY OF DYNAMIC DISPLAY, INC. ANY REPRODUCTION IN PART OR AS A WHOLE WITHOUT THE WRITTEN PERMISSION OF DYNAMIC DISPLAY, INC. IS PROHIBITED.

Dynamic Displays, Inc.
 TITLE:
OUTLINE, DWG, 5.7" LCD OPEN FRAME

SIZE	DWG. NO.	REV
B	0014145	2
SCALE: 1:1.5		SHEET 1 OF 1

4

3

2

1

B

B

A

A