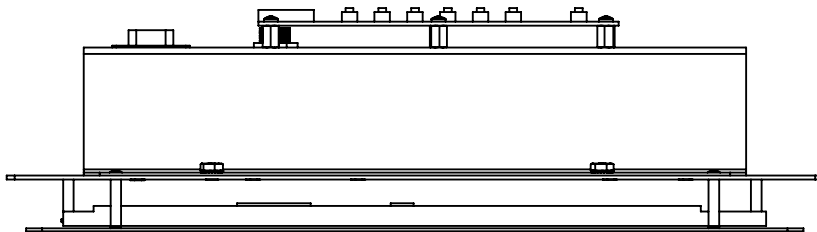


4

3

2

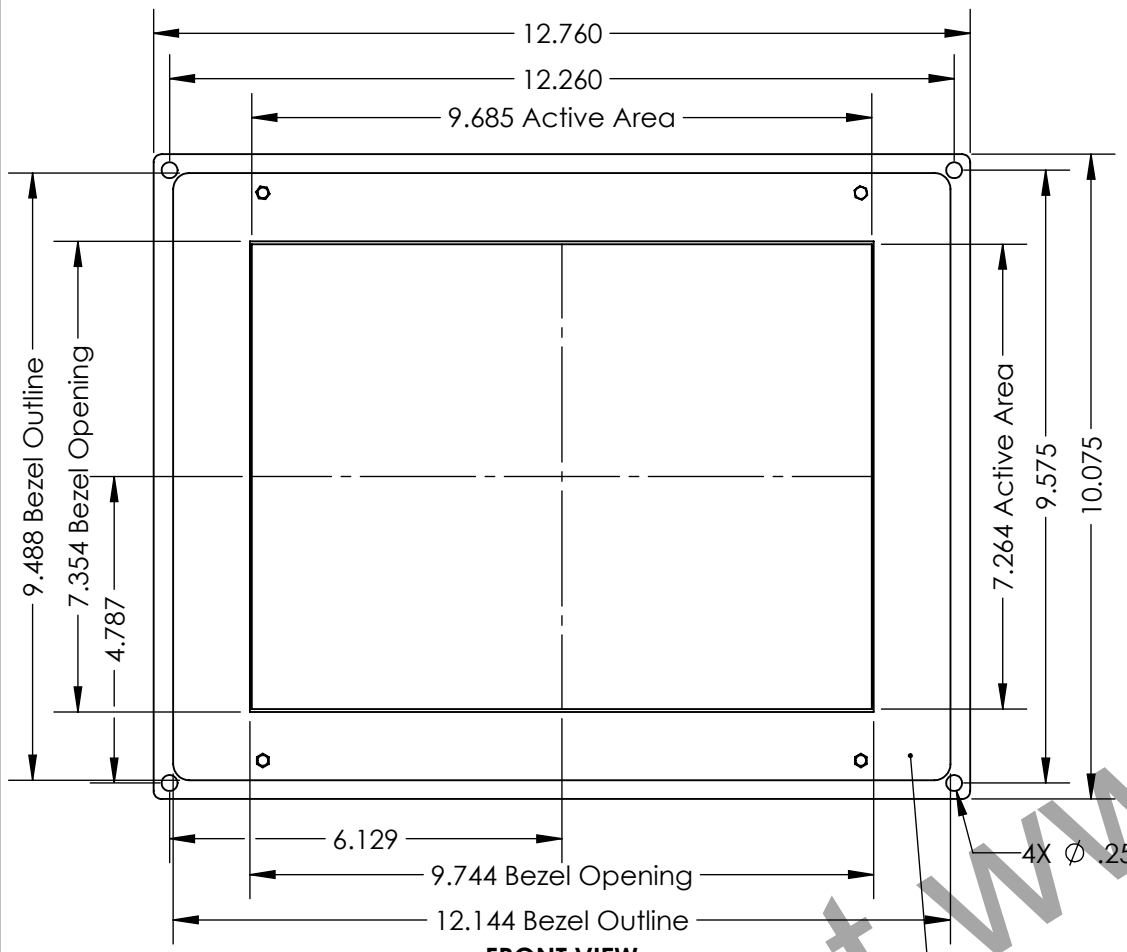
1



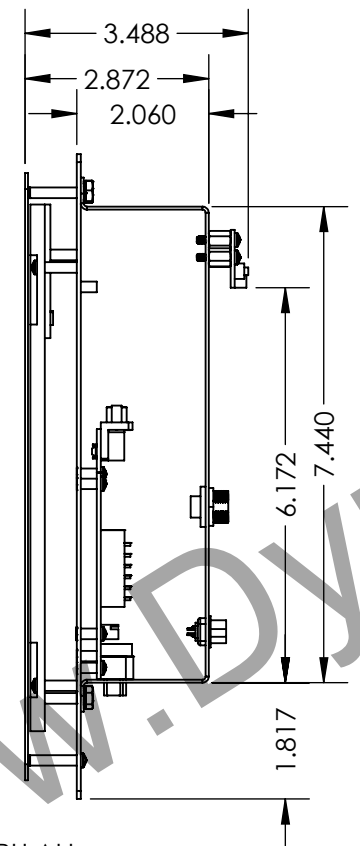
TOP VIEW

| REV. | DESCRIPTION | DATE | APPROVED |
|------|---|------------|----------|
| 01 | PROTOTYPE RELEASE | 10/06/2010 | OBM |
| 02 | CHG MADE TO REAR PNL, CHG STANOFFS FOR BEZEL, MOVED KEYPAD OUTSIDE, CHG TO REV 02 | 10/18/2012 | OBM |
| 03 | REPLACED 1702678 REV 04 WITH REV 05 & 1706326 REV 03 WITH REV 04 | 11/20/14 | OBM |
| 04 | CHG 1702678 REV 06 WITH REV 07, CHG 1712347 REV 03 WITH REV 04 | 5/5/2016 | OBM |

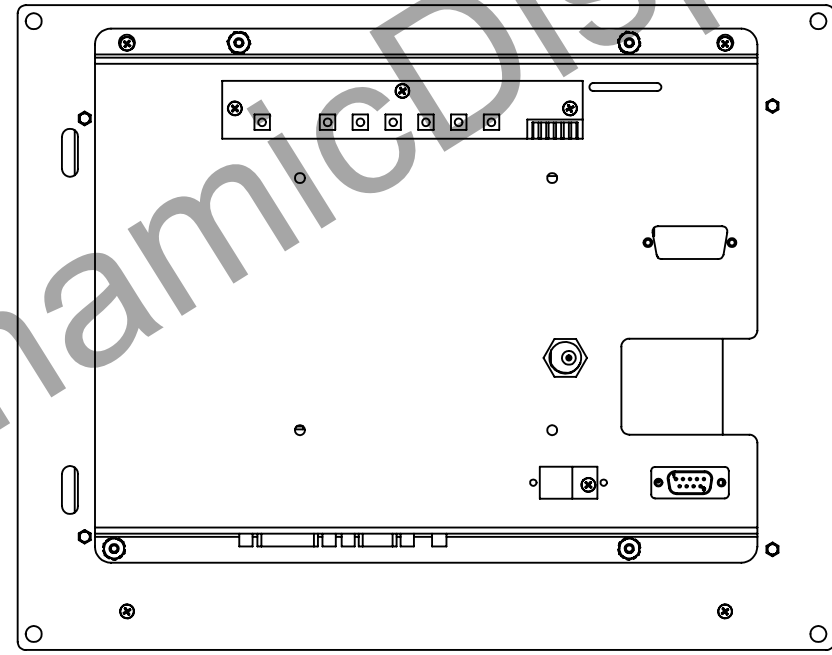
B



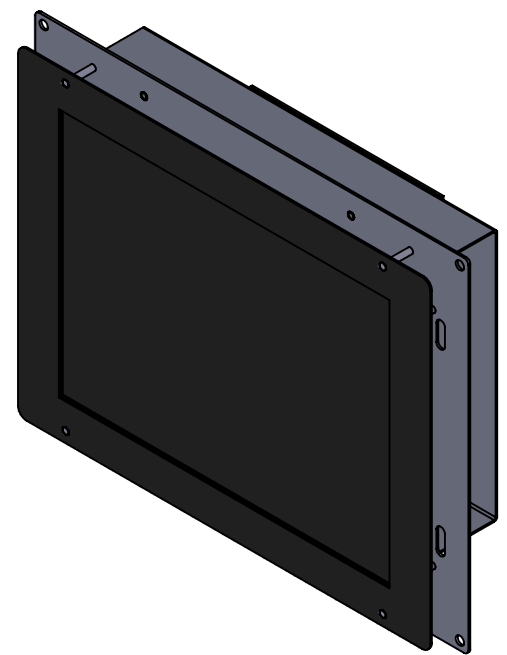
FRONT VIEW



SIDE VIEW

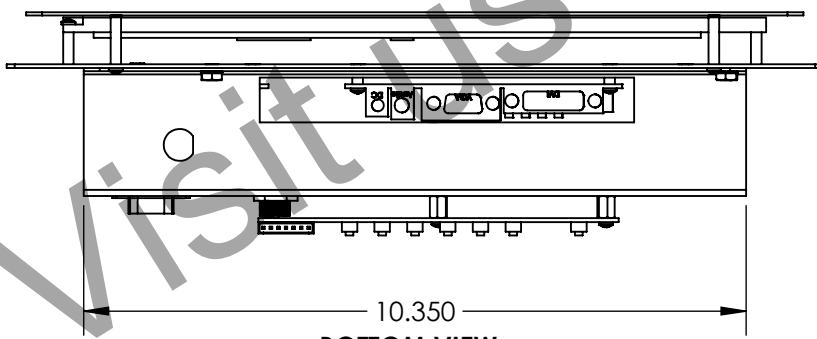


REAR VIEW



B

A



BOTTOM VIEW

OPTIONAL BEZEL

4X Ø .250 THRU ALL

A

| UNLESS OTHERWISE SPECIFIED: | | NAME | DATE |
|--------------------------------------|--|-----------|----------------|
| DIMENSIONS ARE IN INCHES | | DRAWN | SRS 10/18/2012 |
| TOLERANCES: | | CHECKED | DR 10/18/2012 |
| FRACTIONAL ± | | ENG APPR. | OBM 10/18/2012 |
| ANGULAR: MACH ± BEND ±.5° | | MFG APPR. | TJP 10/18/2012 |
| TWO PLACE DECIMAL ±.020 | | Q.A. | MRC 10/18/2012 |
| THREE PLACE DECIMAL ±.010 | | COMMENTS: | |
| INTERPRET GEOMETRIC TOLERANCING PER: | | | |
| MATERIAL | | | |
| FINISH | | | |
| DO NOT SCALE DRAWING | | | |

PROPRIETARY AND CONFIDENTIAL
 THE INFORMATION CONTAINED IN THIS DRAWING IS THE SOLE PROPERTY OF DYNAMIC DISPLAY, INC. ANY REPRODUCTION IN PART OR AS A WHOLE WITHOUT THE WRITTEN PERMISSION OF DYNAMIC DISPLAY, INC. IS PROHIBITED.

Dynamic Displays, Inc.

TITLE:
OUTLINE DWG, 12.1" RETROFIT/14" CRT

SIZE DWG. NO. REV
B 0014127 04

SCALE: 1:3 SHEET 1 OF 1

4

3

2

1