

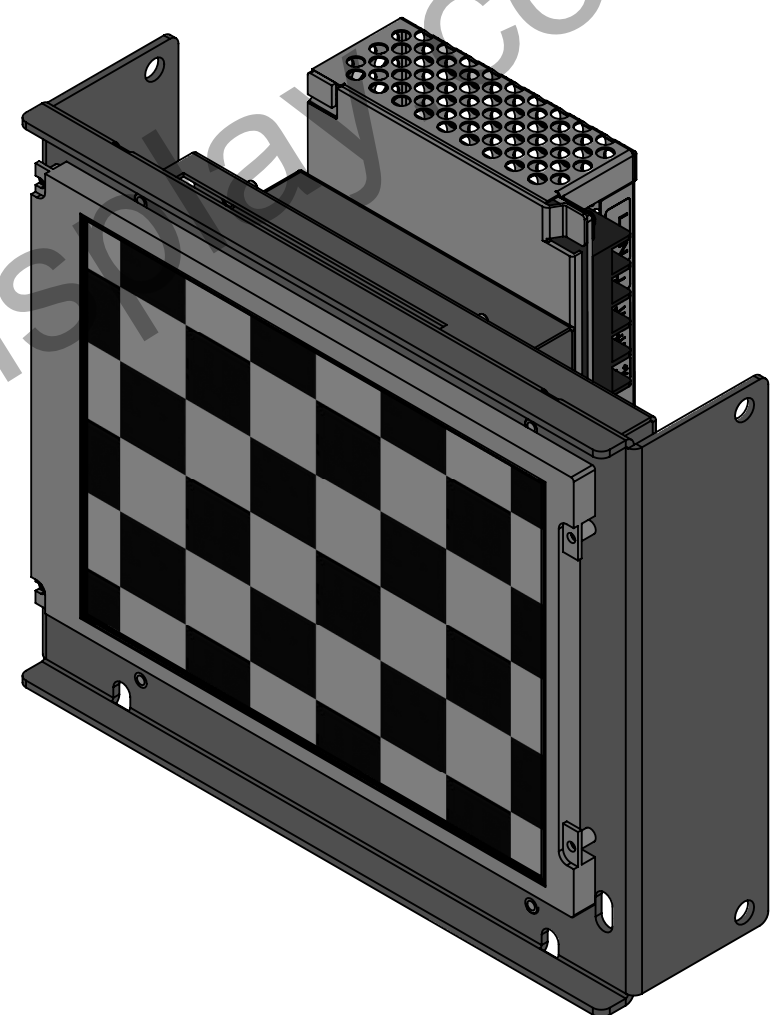
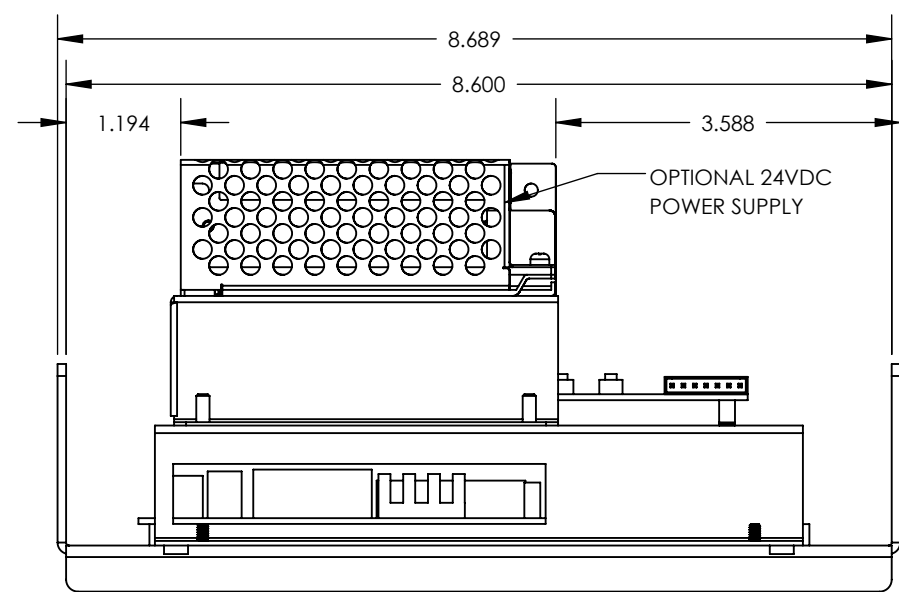
4

3

2

1

REV.	DESCRIPTION	DATE	APPROVED
1	TO BE RELEASE	10/20/16	OBM

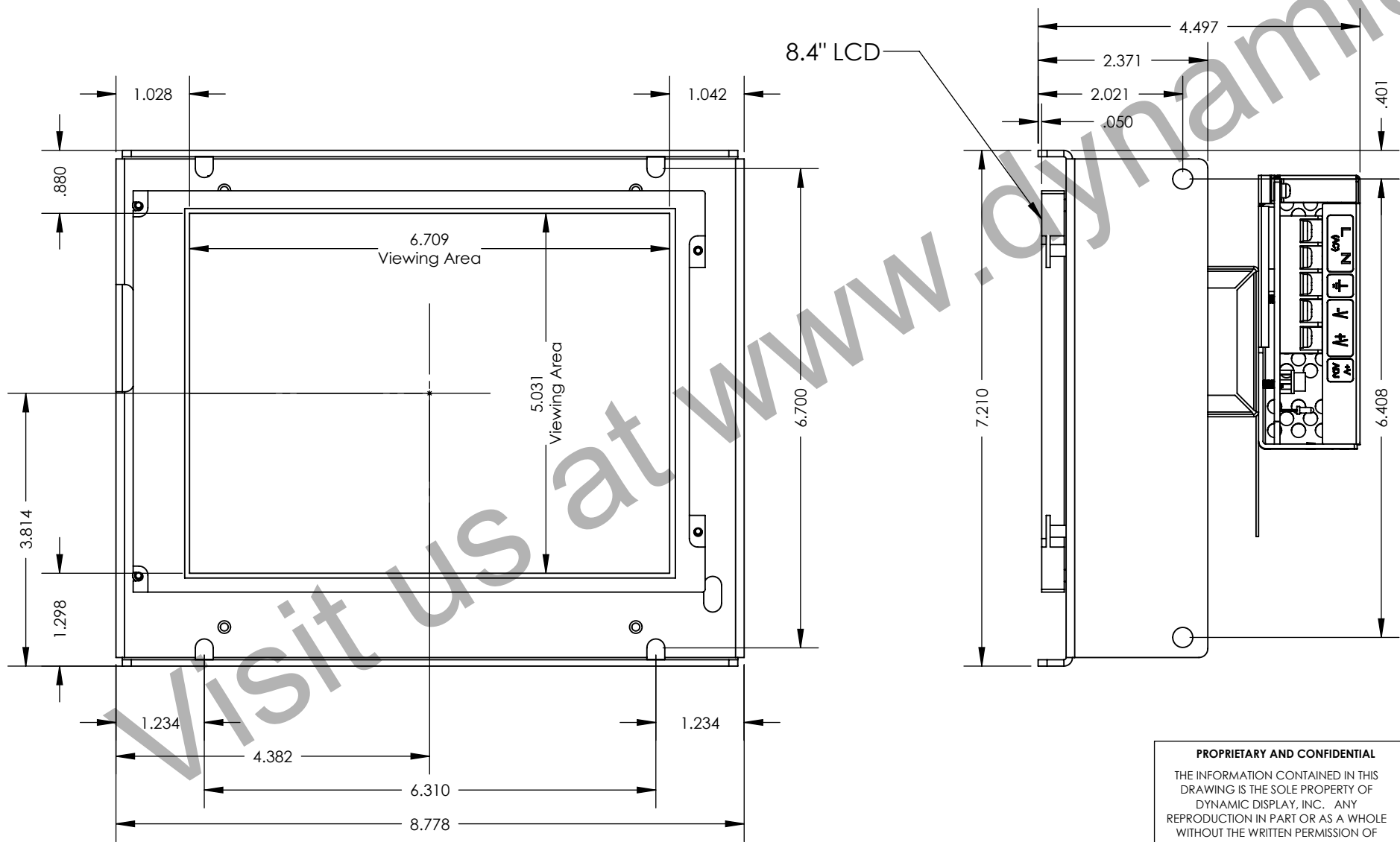


B

B

A

A



PROPRIETARY AND CONFIDENTIAL
THE INFORMATION CONTAINED IN THIS DRAWING IS THE SOLE PROPERTY OF DYNAMIC DISPLAY, INC. ANY REPRODUCTION IN PART OR AS A WHOLE WITHOUT THE WRITTEN PERMISSION OF DYNAMIC DISPLAY, INC. IS PROHIBITED.

UNLESS OTHERWISE SPECIFIED:		NAME	DATE
DIMENSIONS ARE IN INCHES		DRAWN	OBM 11/7/2017
TOLERANCES:		CHECKED	DR 11/7/2017
FRACTIONAL ±		ENG APPR.	OBM 11/7/2017
ANGULAR: MACH ± BEND ±.5°		MFG APPR.	TK 11/7/2017
TWO PLACE DECIMAL ±.020		Q.A.	MRC 11/7/2017
THREE PLACE DECIMAL ±.010		COMMENTS:	
INTERPRET GEOMETRIC TOLERANCING PER:			
MATERIAL			
FINISH			
DO NOT SCALE DRAWING			

Dynamic Displays, Inc.		
TITLE:		
OUTLINE DRAWING, 8.4", LCD - FANUC 24VDC		
SIZE	DWG. NO.	REV
B	0014157	01
SCALE: 1:2		SHEET 1 OF 1