

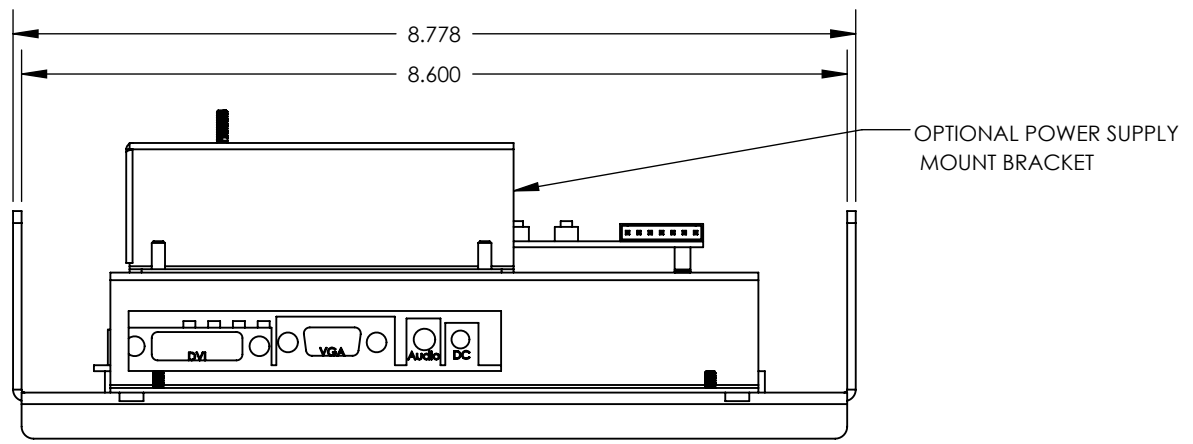
4

3

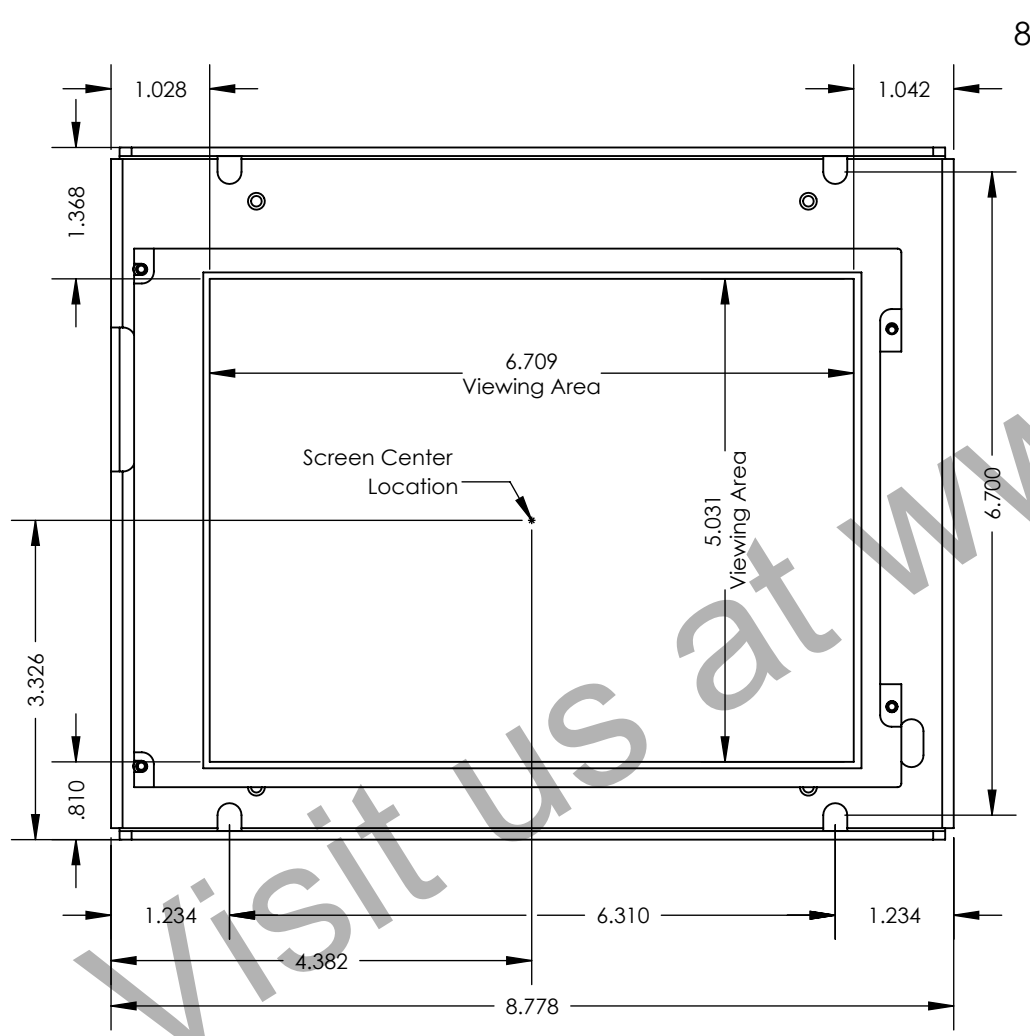
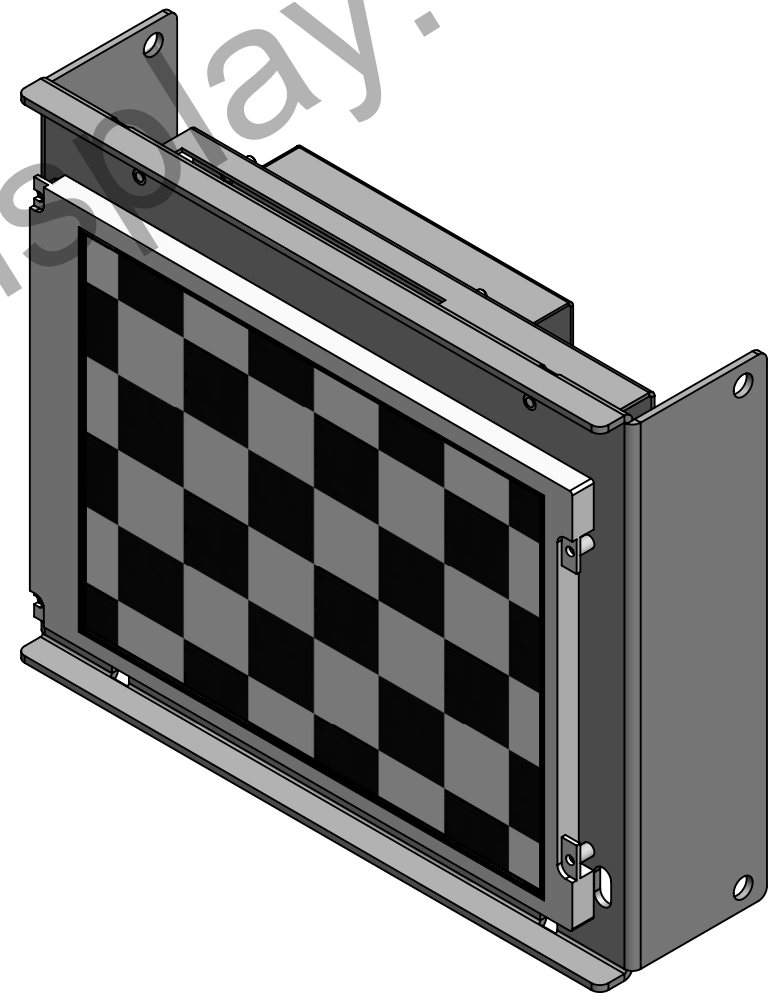
2

1

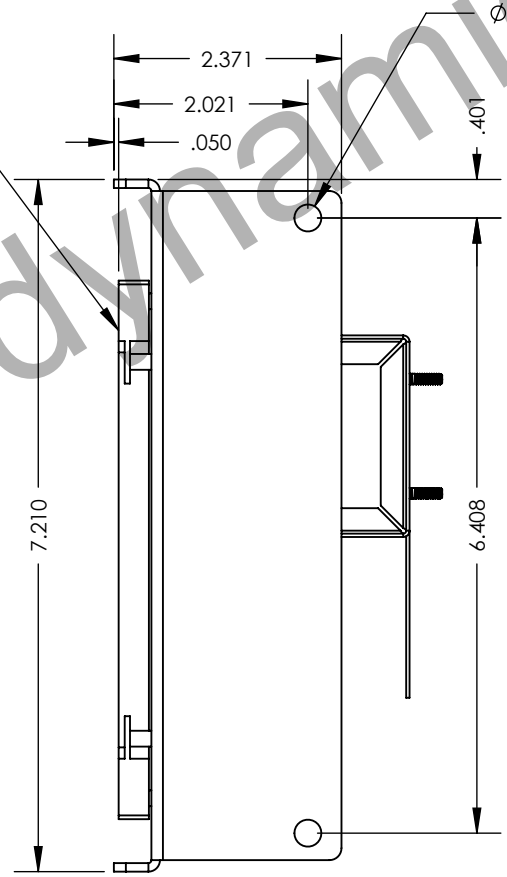
REV.	DESCRIPTION	DATE	APPROVED
1	TO BE RELEASE	10/20/16	OBM
2	ADDED DIM. TO CLEAR DRAWING	11/7/2017	OBM



TOP VIEW



FRONT VIEW



SIDE VIEW

UNLESS OTHERWISE SPECIFIED:

DIMENSIONS ARE IN INCHES	DRAWN	OBM	11/7/2017
TOLERANCES:	CHECKED	DR	11/7/2017
FRACTIONAL ±	ENG APPR.	OBM	11/7/2017
ANGULAR: MACH ± BEND ±.5°	MFG APPR.	TJP	11/7/2017
TWO PLACE DECIMAL ±.020	Q.A.	MRC	11/7/2017
THREE PLACE DECIMAL ±.010	COMMENTS:		
INTERPRET GEOMETRIC TOLERANCING PER:			
MATERIAL			
FINISH			
DO NOT SCALE DRAWING			

**PROPRIETARY AND CONFIDENTIAL**  
 THE INFORMATION CONTAINED IN THIS DRAWING IS THE SOLE PROPERTY OF DYNAMIC DISPLAY, INC. ANY REPRODUCTION IN PART OR AS A WHOLE WITHOUT THE WRITTEN PERMISSION OF DYNAMIC DISPLAY, INC. IS PROHIBITED.

<b>Dynamic Displays, Inc.</b>		
TITLE:		
<b>OUTLINE DRAWING, 8.4",LCD - FANUC</b>		
SIZE	DWG. NO.	REV
<b>B</b>	<b>0014098</b>	<b>2</b>
SCALE: 1:2	SHEET 1 OF 1	

4

3

2

1

B

B

A

A