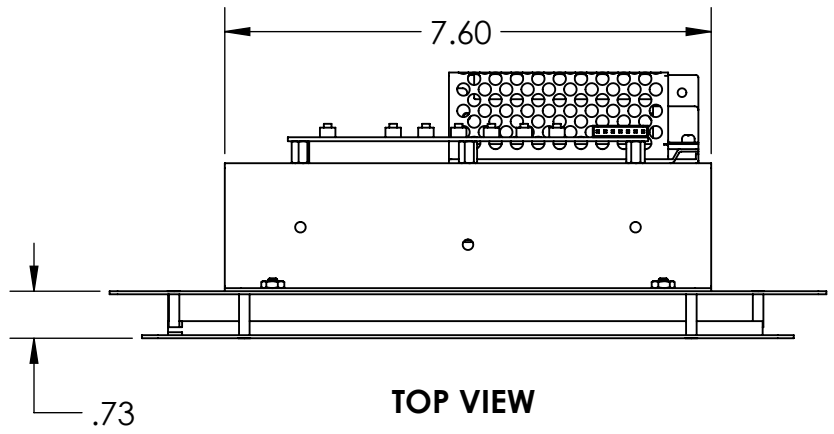
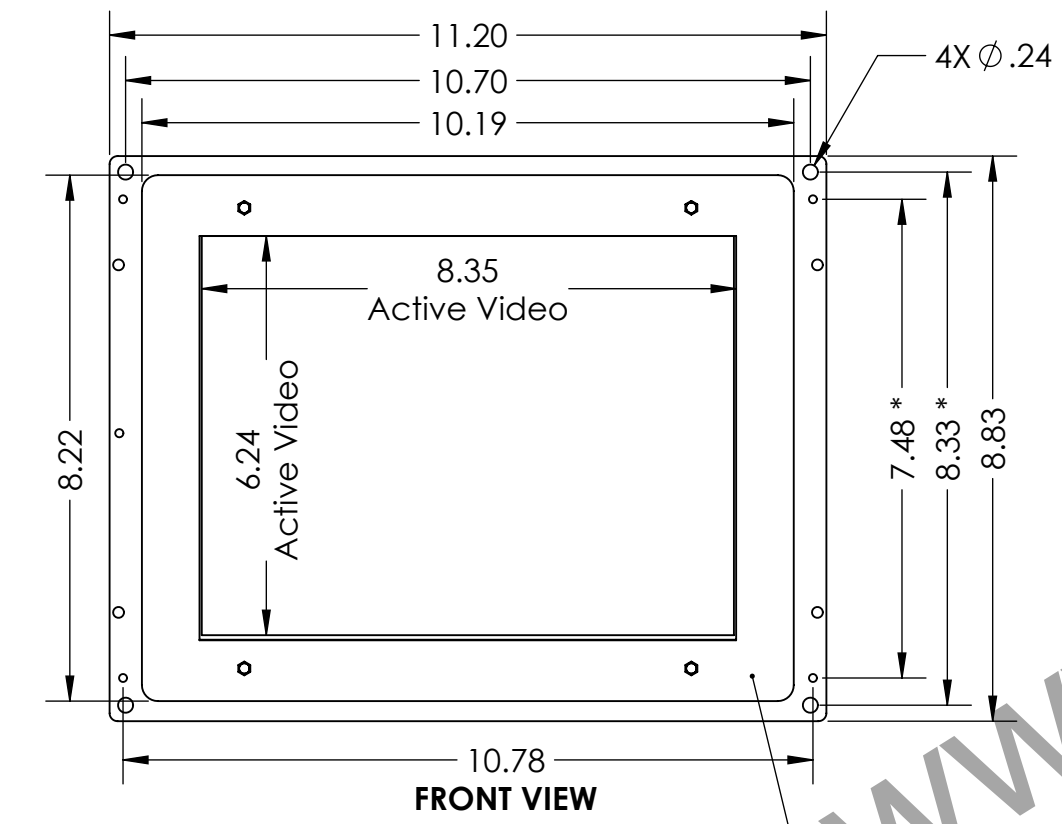


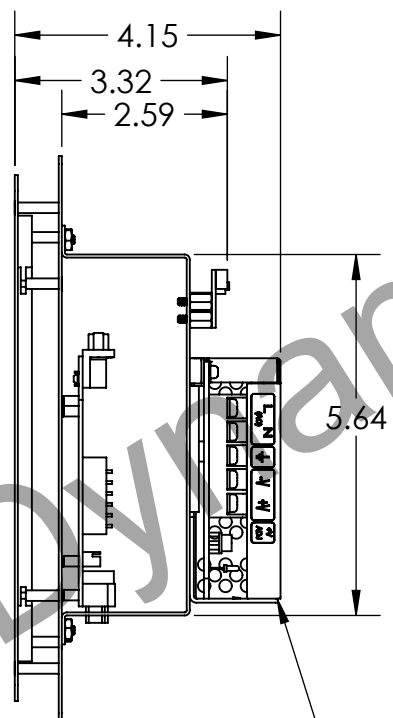
REVISIONS			
REV.	DESCRIPTION	DATE	APPROVED
01	PROTOTYPE RELEASE	11/21/2017	OBM



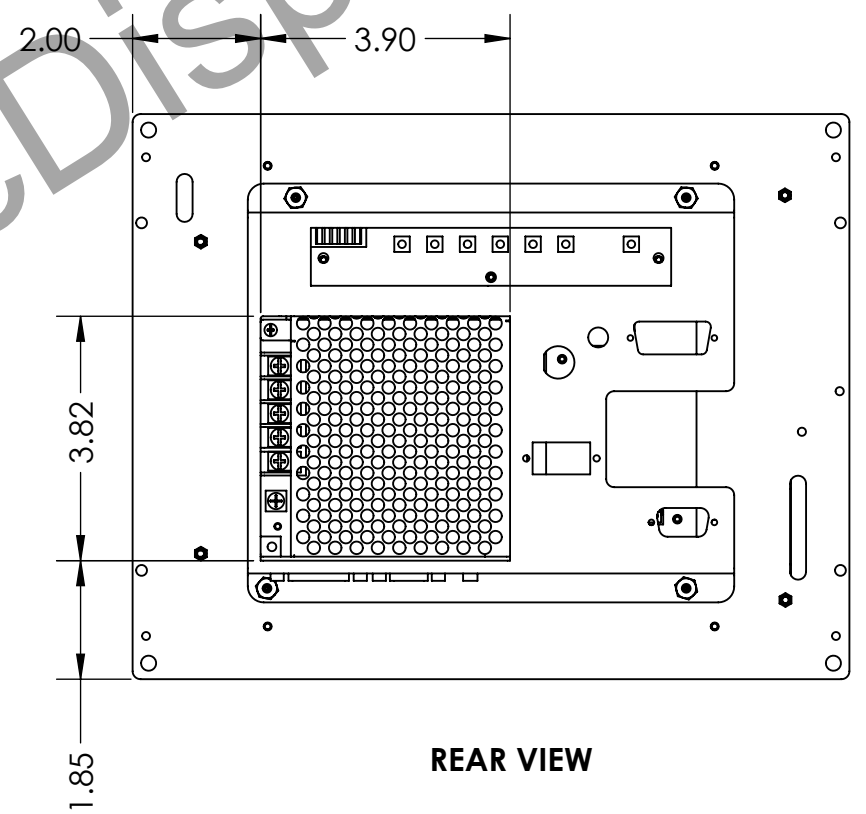
TOP VIEW



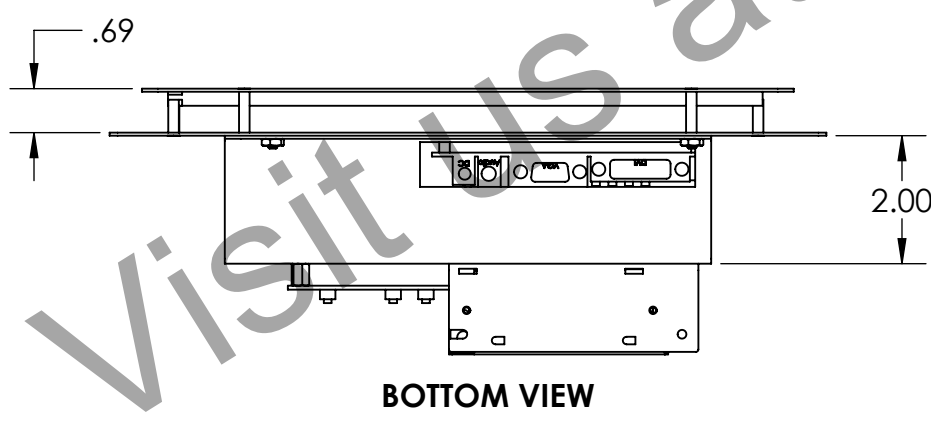
FRONT VIEW



SIDE VIEW



REAR VIEW



BOTTOM VIEW

NOTES:
*EXISTING CHASSIS MOUNTING HOLES

PROPRIETARY AND CONFIDENTIAL
THE INFORMATION CONTAINED IN THIS DRAWING IS THE SOLE PROPERTY OF DYNAMIC DISPLAYS, INC. ANY REPRODUCTION IN PART OR AS A WHOLE WITHOUT THE WRITTEN PERMISSION OF DYNAMIC DISPLAYS, INC. IS PROHIBITED.

		UNLESS OTHERWISE SPECIFIED:		NAME	DATE	Dynamic Displays, Inc. TITLE: OUTLINE DWG, 10.4" RETROFIT/12" CRT - 24VDC INPUT SIZE DWG. NO. REV B 0014160 01
		DIMENSIONS ARE IN INCHES		DRAWN	SRS 01/26/10	
		TOLERANCES:		CHECKED	DR 01/26/10	
		FRACTIONAL ±		ENG APPR.	OBM 01/26/10	
		ANGULAR: MACH ± BEND ± .5°		MFG APPR.	TJP 01/26/10	
		TWO PLACE DECIMAL ±.020		Q.A.	MRC 01/26/10	
		THREE PLACE DECIMAL ±.010		COMMENTS:		
		INTERPRET GEOMETRIC TOLERANCING PER:				
		MATERIAL				
		FINISH				
NEXT ASSY	USED ON					
APPLICATION		DO NOT SCALE DRAWING				
				SCALE: 1:3 SHEET 1 OF 1		