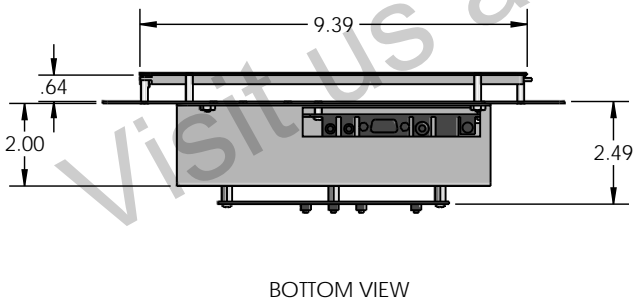
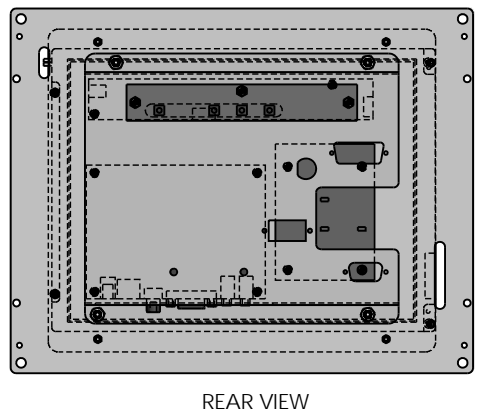
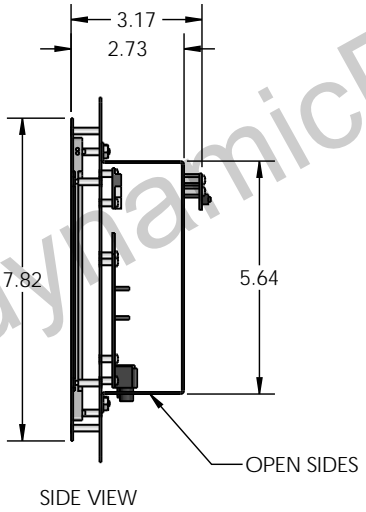
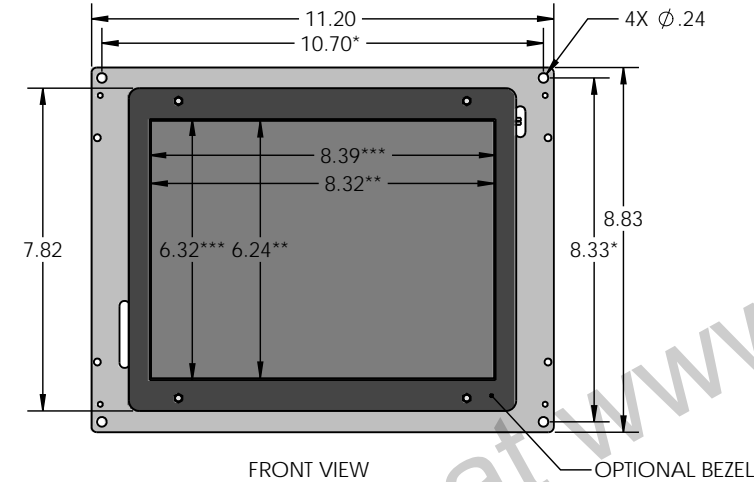
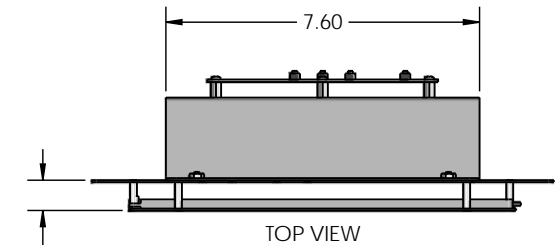


REVISIONS			
REV.	DESCRIPTION	DATE	APPROVED
01	PROTOTYPE RELEASE	1/26/2010	
02	SEE DRAWINGS FOR EACH ITEM	4/13/2010	
03	CREATED SLOT OPENING FOR DIFFERENTIAL BOARD, MOVED CONTROLS TO OUTSIDE, CHG TO REV 03	10/22/2012	SRS



NOTES:  
 \*EXISTING CHASSIS MOUNTING HOLES  
 \*\*VIEWING AREA  
 \*\*\*BEZEL OPENING

PROPRIETARY AND CONFIDENTIAL  
 THE INFORMATION CONTAINED IN THIS DRAWING IS THE SOLE PROPERTY OF DYNAMIC DISPLAYS, INC. ANY REPRODUCTION IN PART OR AS A WHOLE WITHOUT THE WRITTEN PERMISSION OF DYNAMIC DISPLAYS, INC. IS PROHIBITED.

		UNLESS OTHERWISE SPECIFIED:		NAME	DATE
		DIMENSIONS ARE IN INCHES	DRAWN	SRS	
		TOLERANCES:	CHECKED		
		FRACTIONAL ±	ENG APPR.		
		ANGULAR: MACH ± BEND ± 5°	MFG APPR.		
		TWO PLACE DECIMAL ±.020			
		THREE PLACE DECIMAL ±.010			
		INTERPRET GEOMETRIC TOLERANCING PER:			
		MATERIAL:			
		FINISH:			
NEXT ASSY	USED ON	APPLICATION			
		DO NOT SCALE DRAWING			

**Dynamic Displays, Inc.**

TITLE:  
**OUTLINE DWG,  
 10.4" RETOROFIT/12" CRT**

SIZE	DWG. NO.	REV
<b>B</b>	<b>0014125</b>	<b>03</b>

SCALE: 1:3 WEIGHT: SHEET 1 OF 1