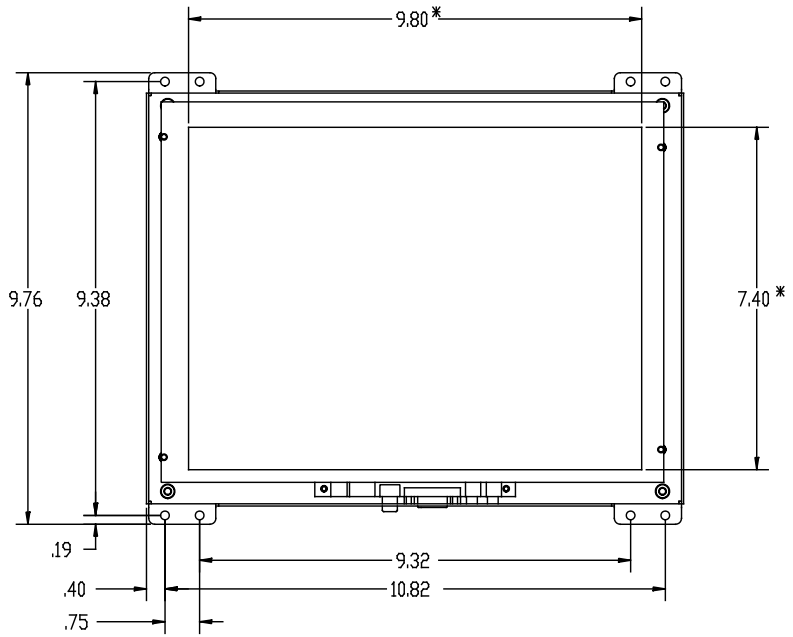
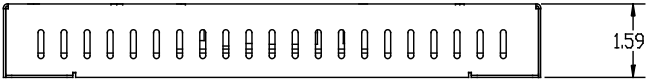
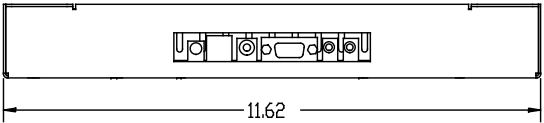


REVISIONS				
ZONE	REV.	DESCRIPTION	DATE	APPROVED
	01	PROTOTYPE RELEASE	12/10/2005	
	02	KEYPAD MOVED DOWN .36	1/16/2006	
	03	SUB D ADDED AND FOUR STANDOFFS ADDED	1/20/2006	
	04	SUB D MOVED, HOLES CHANGED & ADDED	9/25/2006	

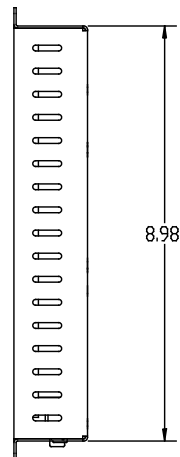
TOP VIEW



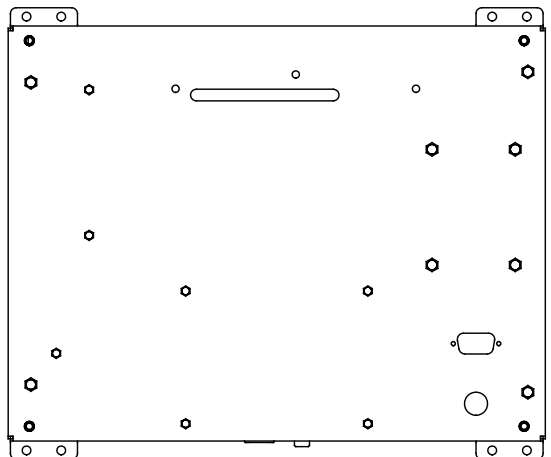
FRONT VIEW
(* VIEWING AREA)



BOTTOM VIEW



SIDE VIEW



REAR VIEW

PROPRIETARY AND CONFIDENTIAL
THE INFORMATION CONTAINED IN THIS
DRAWING IS THE SOLE PROPERTY OF
DYNAMIC DISPLAYS, INC. AND
REPRODUCTION IN WHOLE OR AS A WHOLE
WITHOUT THE WRITTEN PERMISSION OF
DYNAMIC DISPLAYS, INC. IS
PROHIBITED.

		UNLESS OTHERWISE SPECIFIED:	NAME	DATE	Dynamic Displays, Inc.	
		DIMENSIONS ARE IN INCHES	DRAWN	ARJ		12/10/05
		TOLERANCES	CHECKED			TITLE:
		FRACTIONAL ±	ENG APPR.			OUTLINE, DRAWING, 12.1",
		ANGULAR MATCH ±	MFG APPR.		FLT/PNL, I/F	
		TWO PLACE DECIMAL ± .005			SIZE DWG: NIL	
		THREE PLACE DECIMAL ± .003			C 0014097	
		INTERPRET GEOMETRIC TOLERANCING PER	DA		REV 04	
		MATERIAL:	COMMENTS:			
		GALVANEAL STEEL				
		FINISH				
		NONE				
NEXT ASSY	USED ON	APPLICATION			SCALE: 1:2	
		NO NOT SCALE DRAWING			SHEET 1 OF 1	