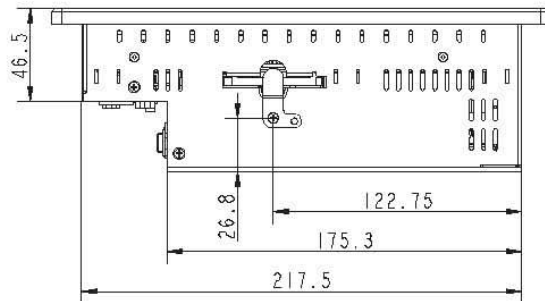
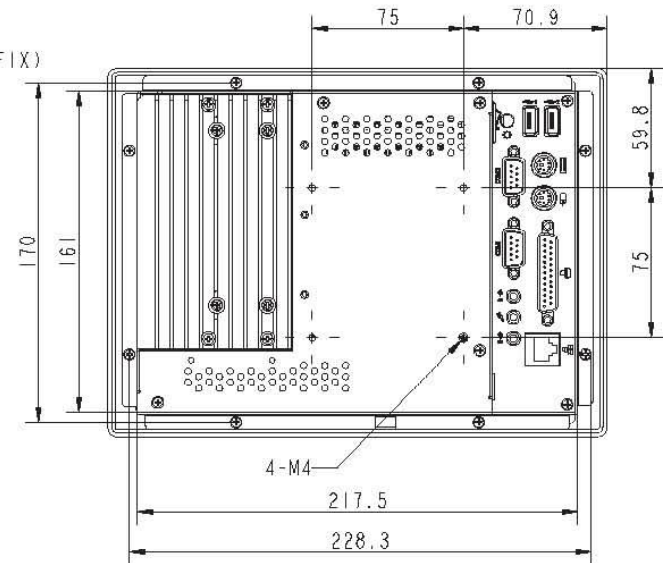
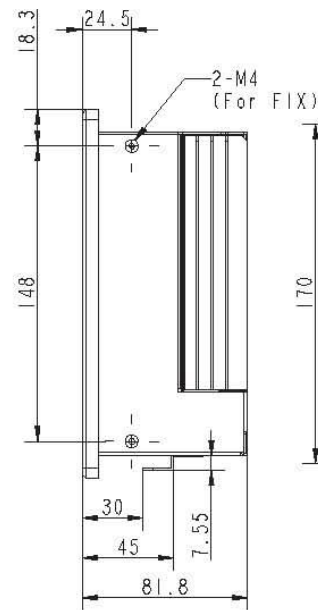
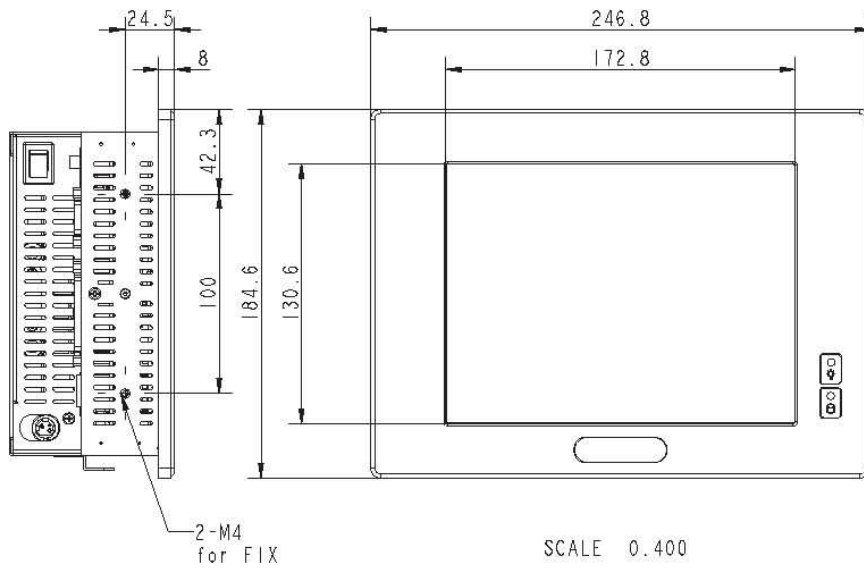


QES1508F - Series

Fanless and Low Power 8.4" Panel PC

Outline Dimensions



Unit: mm

Dynamic Displays, Inc.

1625 Westage Road

Eau Claire, WI 54703

Phone: 715-835-9440

Fax: 715-835-2436

Sales Email: sales@dynamicdisplay.com

WEB: <http://www.dynamicdisplay.com>