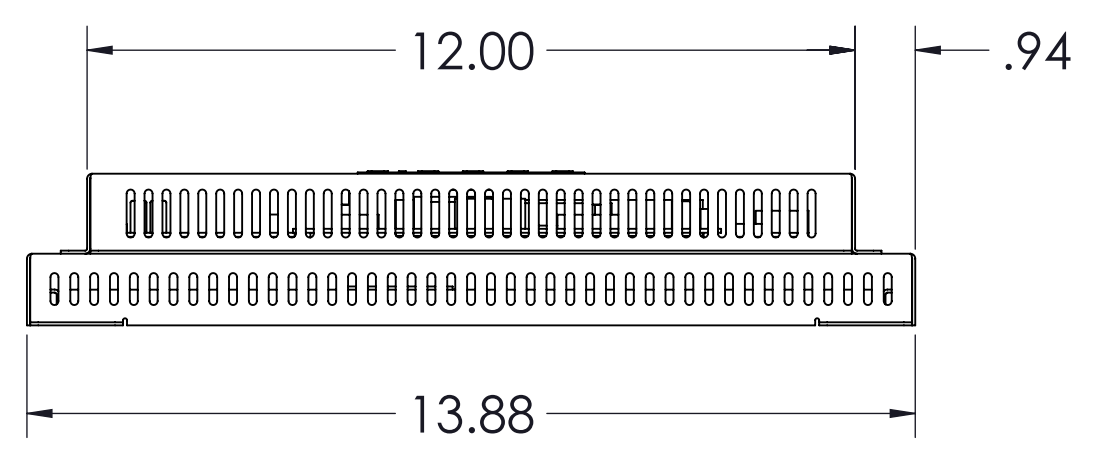
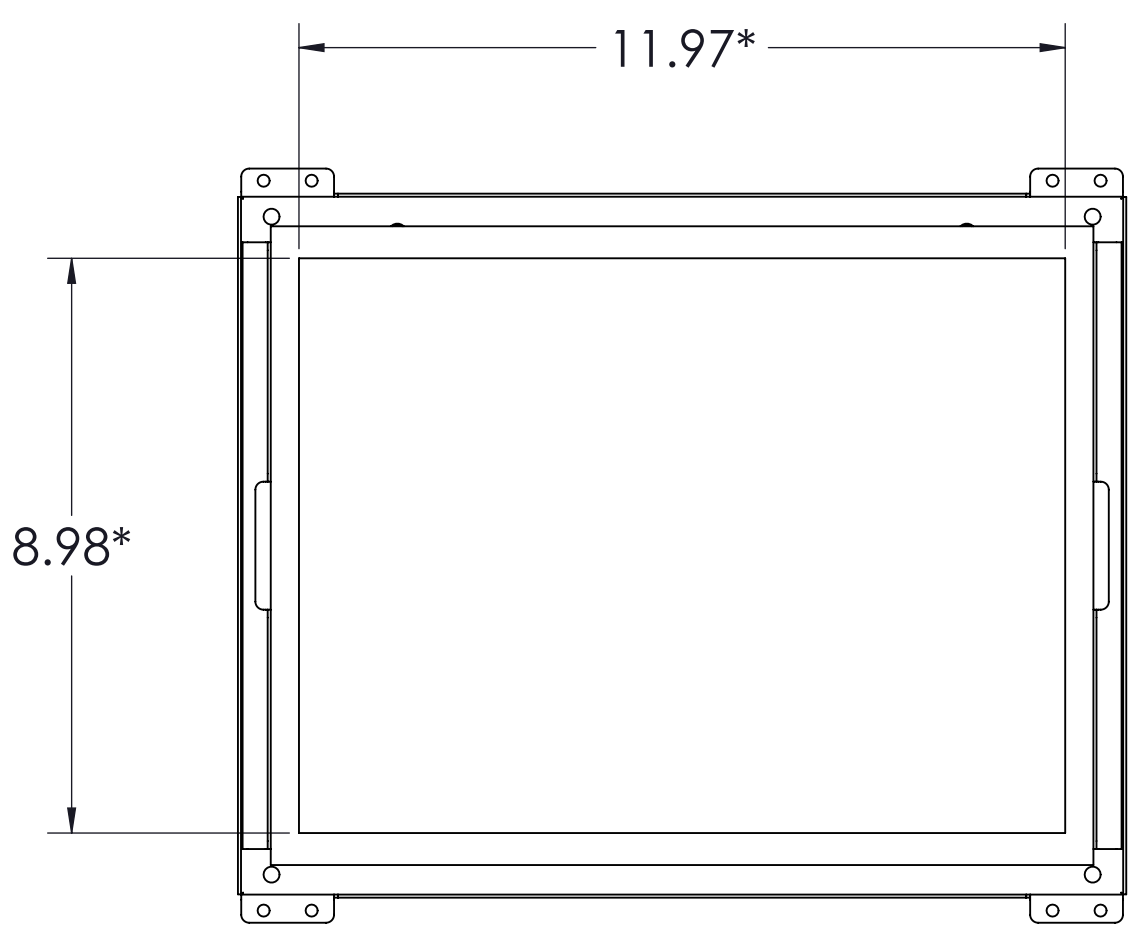
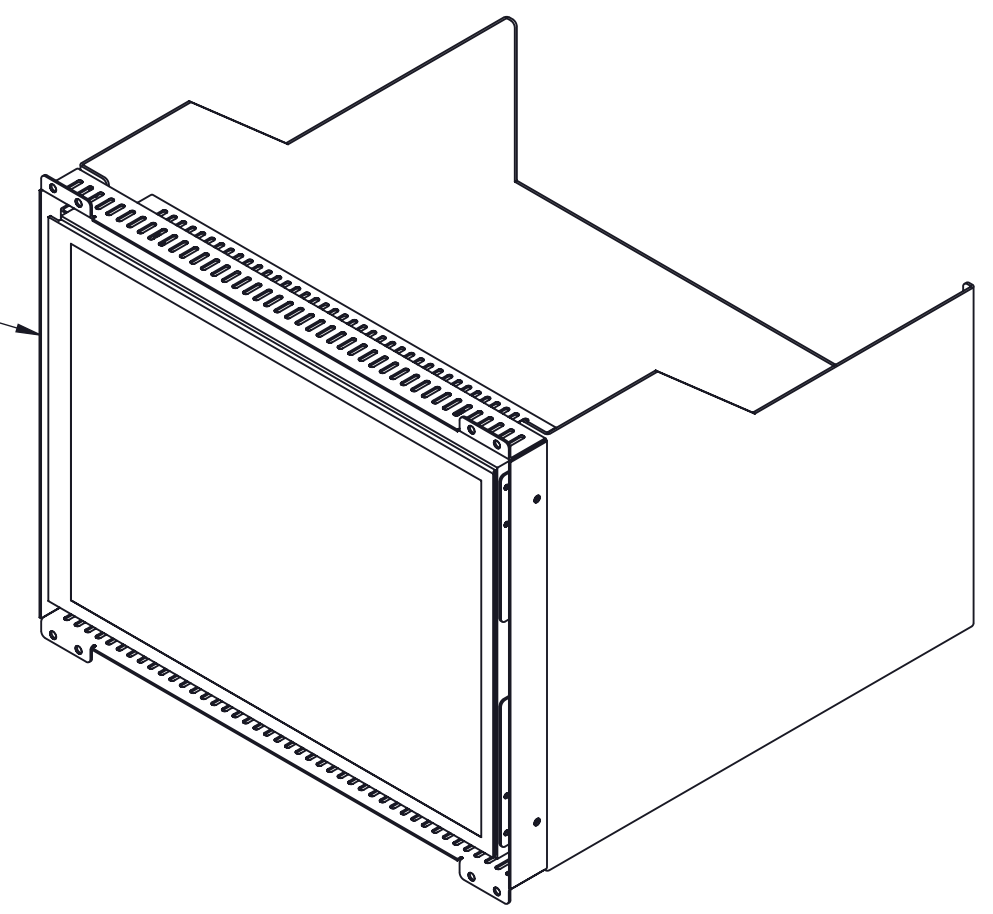


REVISIONS				
ZONE	REV.	DESCRIPTION	DATE	APPROVED
	01	INITIAL RELEASE	7/19/2007	

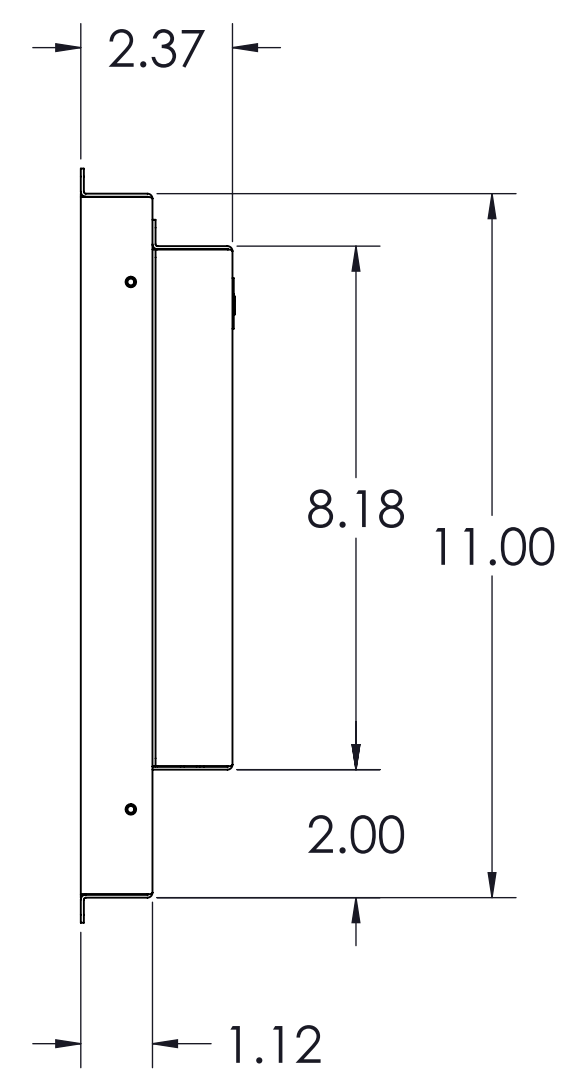


TOP VIEW

AS ATTACHED TO EXISTING CHASSIS

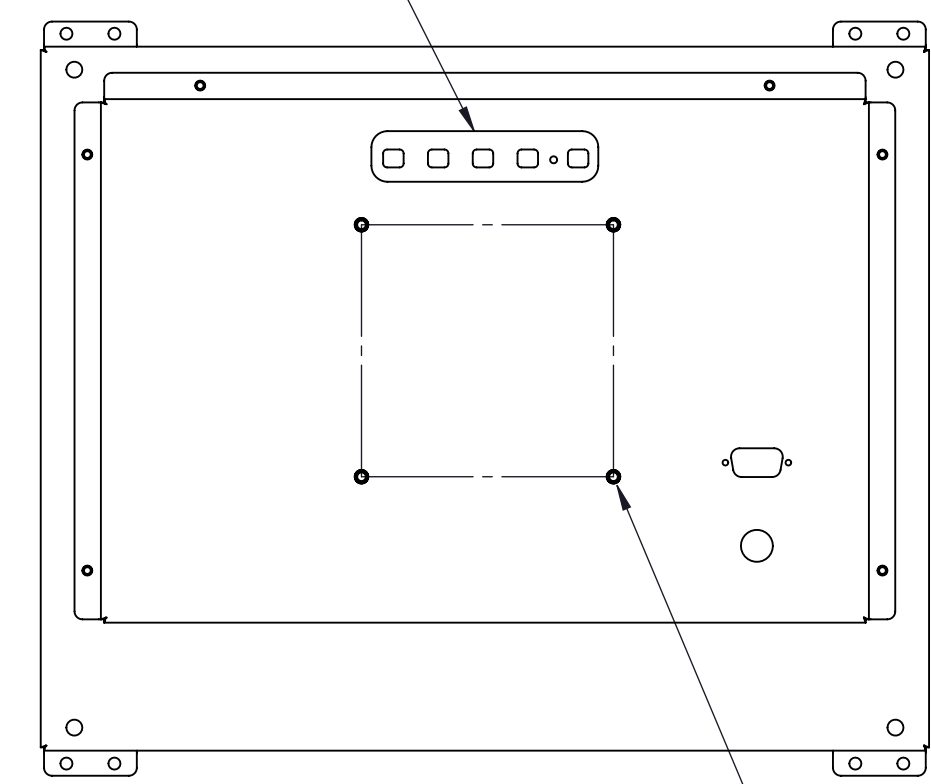


FRONT VIEW
(* VIEWING AREA)
(OPTIONAL TOUCH SCREEN NOT SHOWN)



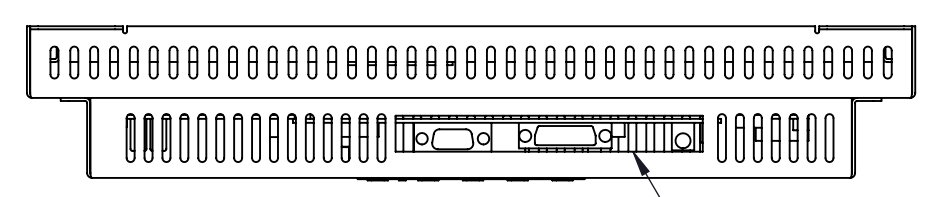
SIDE VIEW

REAR CONTROLS



REAR VIEW

OPTIONAL VESA MOUNTING



BOTTOM VIEW
INTERFACE ACCESS

PROPRIETARY AND CONFIDENTIAL
THE INFORMATION CONTAINED IN THIS DRAWING IS THE SOLE PROPERTY OF DYNAMIC DISPLAYS, INC. ANY REPRODUCTION IN PART OR AS A WHOLE WITHOUT THE WRITTEN PERMISSION OF DYNAMIC DISPLAYS, INC. IS PROHIBITED.

UNLESS OTHERWISE SPECIFIED:		NAME	DATE
DIMENSIONS ARE IN INCHES		DRAWN	ARJ 7/19/07
TOLERANCES:		CHECKED	
FRACTIONAL ±		ENG APPR.	
ANGULAR: MACH ± BEND ± .5°		MFG APPR.	
TWO PLACE DECIMAL ± .020		Q.A.	
THREE PLACE DECIMAL ± .010		COMMENTS:	
FINISH			
APPLICATION	DO NOT SCALE DRAWING		

Dynamic Displays, Inc.		
TITLE:		
15" OPEN FRAME, OUTLINE DRAWING		
SIZE	DWG. NO.	REV
C	0014116	01
SCALE: 1:2		SHEET 1 OF 1