

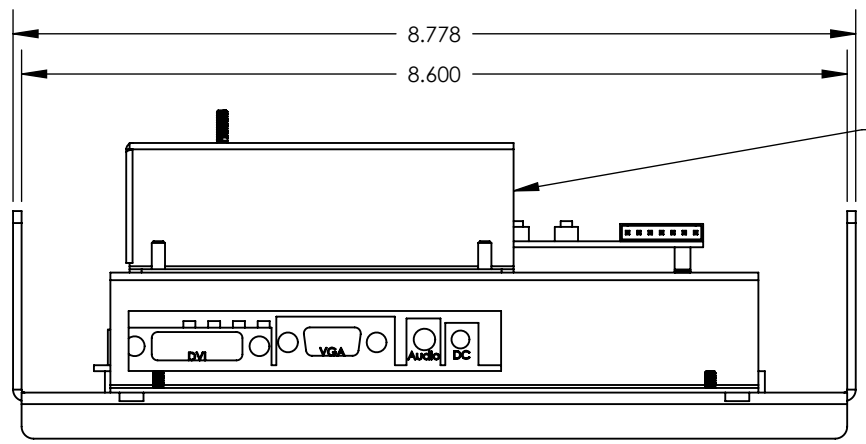
4

3

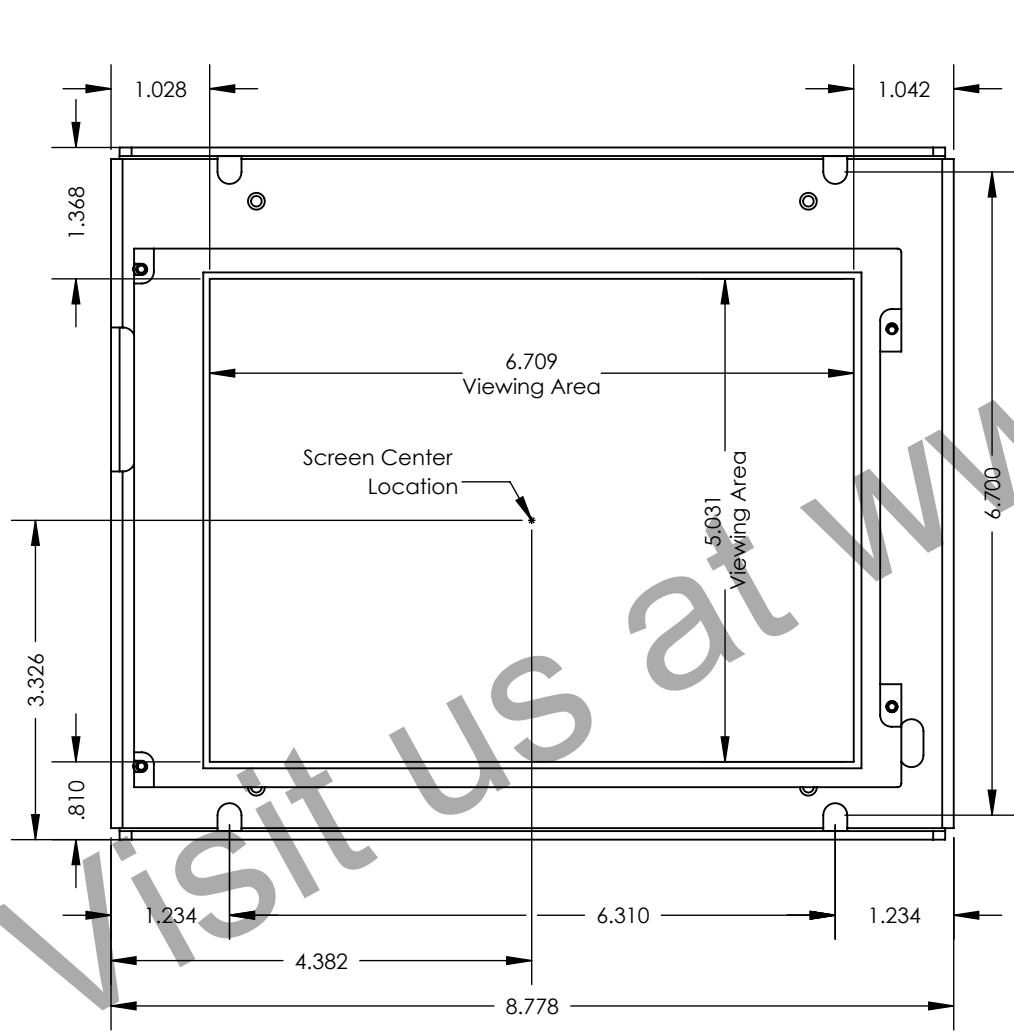
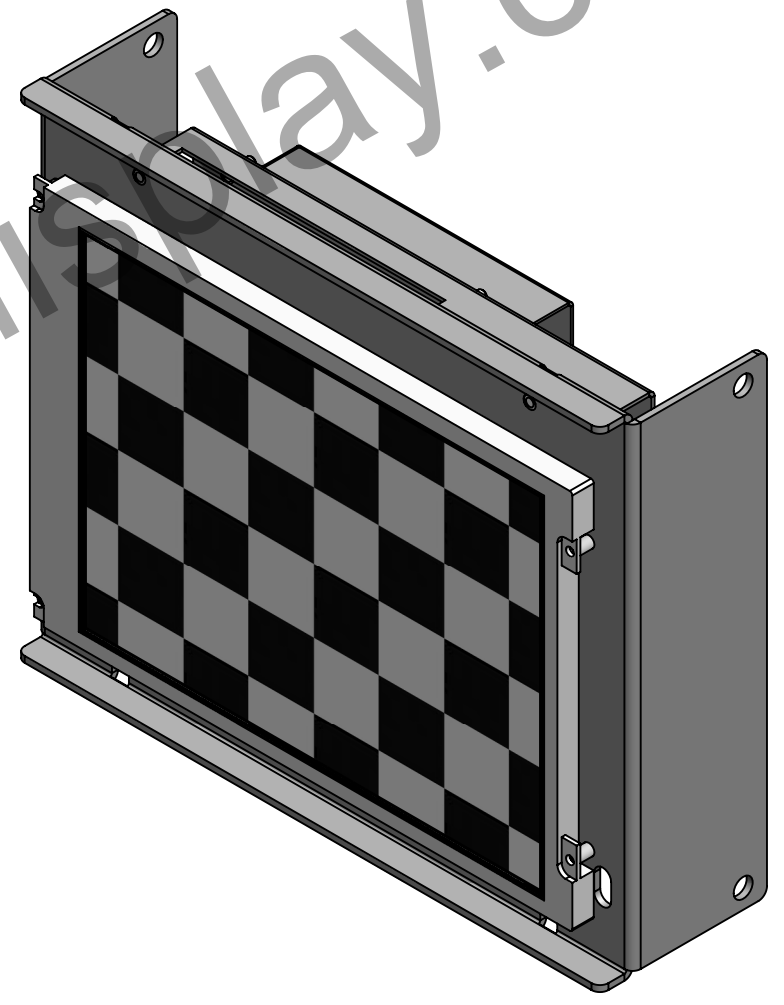
2

1

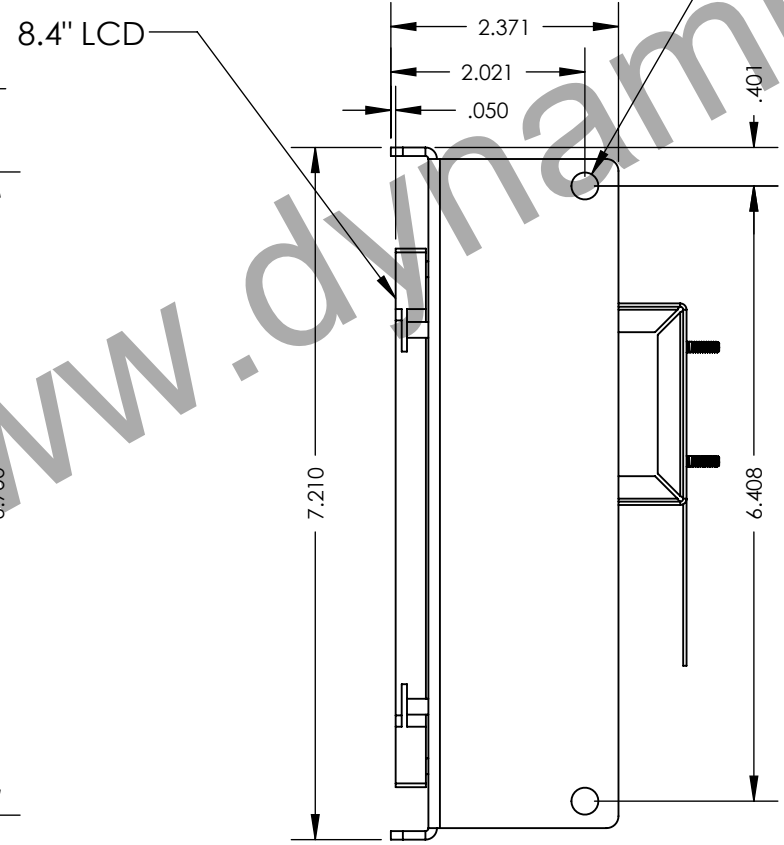
REV.	DESCRIPTION	DATE	APPROVED
1	TO BE RELEASE	10/20/16	OBM
2	ADDED DIM. TO CLEAR DRAWING	11/7/2017	OBM



TOP VIEW



FRONT VIEW



SIDE VIEW

8.4" LCD

UNLESS OTHERWISE SPECIFIED:

	NAME	DATE
DRAWN	OBM	11/7/2017
CHECKED	DR	11/7/2017
ENG APPR.	OBM	11/7/2017
MFG APPR.	TJP	11/7/2017
Q.A.	MRC	11/7/2017

COMMENTS:

Dynamic Displays, Inc.		
TITLE: OUTLINE DRAWING, 8.4",LCD - FANUC		
SIZE B	DWG. NO. 0014098	REV 2
SCALE: 1:2		SHEET 1 OF 1

PROPRIETARY AND CONFIDENTIAL
 THE INFORMATION CONTAINED IN THIS DRAWING IS THE SOLE PROPERTY OF DYNAMIC DISPLAY, INC. ANY REPRODUCTION IN PART OR AS A WHOLE WITHOUT THE WRITTEN PERMISSION OF DYNAMIC DISPLAY, INC. IS PROHIBITED.

DO NOT SCALE DRAWING

4

3

2

1

B

B

A

A